



Owner's Use and Care Guide  
Guide d'utilisation et soins de Propriétaire



**Model • Modèle**  
**SBCR419W/BL**

**CAUTION:**  
Read and follow all safety rules and  
operating instructions before first use of  
this product

**PRECAUTION:**  
Veuillez lire attentivement les  
consignes de sécurité et les instructions  
d'utilisation avant l'utilisation initiale  
de ce produit.

**COMPACT REFRIGERATOR**

**Owner's Use and Care Guide** ..... **1-5**

- Important Safety Instructions
- Features
- Installation Instructions
- Care and Cleaning
- Troubleshooting
- Warranty

**RÉFRIGÉRATEUR COMPACT**

**Guide d'utilisation et soins de Propriétaire** ..... **6-10**

- Consignes de Sécurité Importantes
- Caractéristiques
- Instructions d'installation
- Soins et Entretien
- Garantie

---

# IMPORTANT SAFETY INSTRUCTIONS

---

## ATTENTION: GROUNDING INSTRUCTIONS

This appliance must be grounded. In the event of an electrical short circuit, grounding reduces the risk of electrical shock by providing an escape wire for the electrical current.

This appliance is equipped with a cord having a grounding wire with a grounding plug. The plug must be plugged into an outlet that is properly installed and grounded.

**WARNING** - Improper use of the grounding plug can result in a risk of electric shock. Consult a qualified electrician or serviceman if the grounding instructions are not completely understood, or if doubt exists as to whether the appliance is properly grounded.

## DO NOT USE AN EXTENSION CORD

Use an exclusive wall outlet. Do not connect your refrigerator to extension cords or together with any other appliance in the same wall outlet. Do not splice the cord.

## IMPORTANT WARNING

An empty refrigerator can pose a threat to children. To render the unit harmless we strongly recommend removing the door prior to disposal.

**DON'T WAIT! DO IT NOW!**

---

## INSTALLATION

Remove exterior and interior packings, wipe the outside thoroughly with a soft dry cloth and the inside with a wet, lukewarm cloth. Avoid placing the cabinet in a narrow recess or near any heat source, direct sunlight, or moisture. Let air circulate freely around the cabinet. Keep the rear of the refrigerator 5 inches away from the wall.

### Location

- 1) Select a place with a strong, level floor.
- 2) Allow 5 inches of space between the back of the refrigerator and any adjacent wall.
- 3) Avoid direct sunlight and heat. Direct sunlight may affect the acrylic coating. Heat sources nearby will cause higher electricity consumption.
- 4) Avoid damp places. Too much moisture in the air will cause frost to form very quickly on the evaporator, and your refrigerator will have to be defrosted more frequently.

## OPERATION

To avoid vibration, the unit must be set level. This is accomplished by adjusting the (1) front leveling leg located under the refrigerator.

- The temperature of the refrigerator is controlled by setting the thermostat knob to a desired setting.

### Temperature Selection:

To start the refrigerator, turn the temperature control knob to the position corresponding to the desired cooling (on the graduated blue dial) in Fig. A. The refrigerator temperature will vary depending on the quantity of the food stored, and on the frequency with which the door is opened.

To turn the control to the "OFF" position, rotate the control knob to the "0" position. If the refrigerator is not being used for long periods, disconnect the plug and leave the door partially open. This will help to reduce mold/mildew from accumulating inside the refrigerator.

Changes in ambient room temperature will affect internal refrigerator temperatures (choose correct setting of the thermostat knob).

- In OFF (0) position, the appliance does not operate (cooling system is switched off) yet power supply is not interrupted (the light is on when you open the refrigerator door).

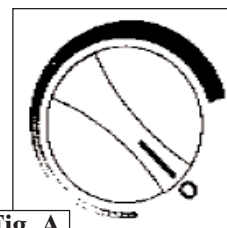


Fig. A

# IMPORTANT SAFETY INSTRUCTIONS

## DEFROSTING

This refrigerator is equipped with a "Push Button" (semi-automatic) defrost thermostat system. To activate the defrost cycle, simply push (in) the red defrost button located in the center of the control knob/dial (do not turn the control knob/dial to zero/off). The defrost cycle is initiated immediately. When defrosting is complete, the "Push Button" will release (pop-out) automatically and resume normal operating conditions at the same temperature setting. **NOTE:** If the "Push Button" is activated (pushed-in) accidentally, it will not be possible to "manually" pull-out the push button (deactivate the defrost cycle). You must either let the defrost cycle run its course or:

- Hold a dishcloth soaked in hot water against the thermostat capillary line and bracket, located on the underside of the freezer compartment. The heat transfer from the cloth will cause a temperature rise on the thermostat capillary (sensing line), causing the internal contacts to close. This will resume normal operating conditions. It may take several minutes and/or repeat applications before the push button will release.

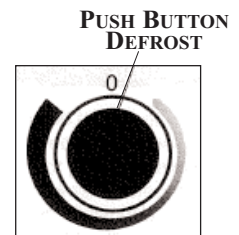
Defrosting of your refrigerator should take place whenever ice build-up inside the freezer compartment reaches 1/4" (6mm) thick. Defrosting may take a few hours, depending on the amount of accumulated ice and ambient indoor temperature. To speed up the defrosting process, remove all frozen foods from the freezer section. Leaving the door partially ajar for a short period of time will also speed up the process.

**Important:** You must remember to close the refrigerator door before the defrost cycle terminates and normal operating conditions resume automatically. The drip tray should be in position directly below the freezer compartment to catch condensed water during defrosting. **Note:** Never use sharp or pointed instruments to defrost/remove ice from the evaporator/freezer compartment. The freezer compartment contains refrigerated gas lines and if accidentally punched/pierced, will render the refrigerator inoperable and void the manufacturers warranty.

**DO NOT ALLOW THE REFRIGERATOR TO CONTINUE OPERATION IF THE FREEZER COMPARTMENT IS PIERCED.**

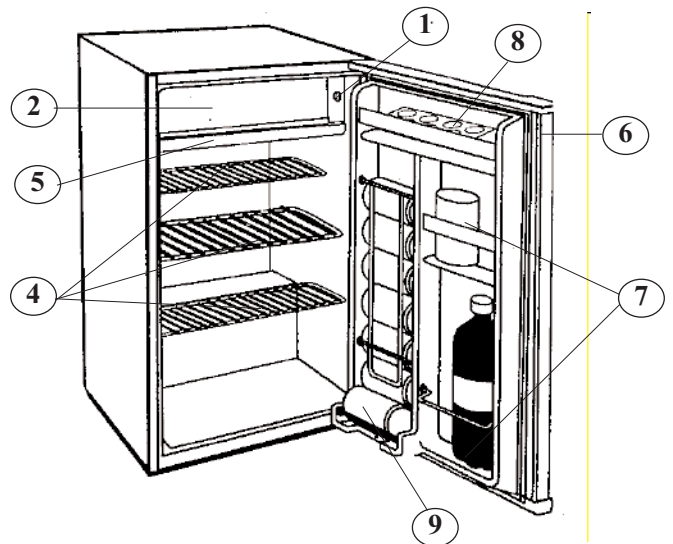
After defrosting is complete, set the control to maximum for 2 to 3 hours before returning to the desired position. When the refrigerator is not to be used for a long period of time, disconnect the appliance from the electrical supply and leave the door partially open. This will help to reduce mold and mildew build-up.

**Note:** Wait 3 to 5 minutes before attempting to restart the refrigerator if operation has been interrupted.



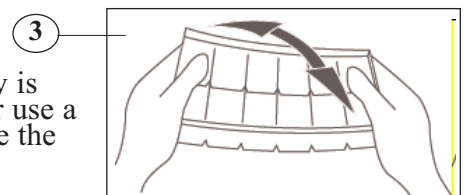
## FEATURES

- 1) **Temperature Control Dial:** For controlling the temperature inside the refrigerator. Activates the compressor as soon as the temperature rises above the set level.
- 2) **Freezer Compartment with Freezer Door:** Separate freezer section holds ice cube tray and small items.
- 3) **Ice Cube Tray:** Ice cubes are easily removed from tray.
- 4) **Plastic Coated Shelves:** Odor resistant, rustproof, and removable for easy cleaning.
- 5) **Drip Tray:** Catches the water that drips off the evaporator when defrosting.
- 6) **Magnetic Gasket:** Tight fitting door seal keeps all the cool air locked inside.
- 7) **Bottle Rack:** For tall, medium, and large bottles, cans or jars.
- 8) **Egg Tray**
- 9) **CANSTOR Door Liner:** Holds 355ml cans of pop, juice or beer.



## ICE CUBE TRAY

Ice cube tray is flexible. Twist tray to remove ice cubes. If the ice cube tray is frozen hard to the evaporator surface, run a little water over the tray. Never use a knife or other metal instrument to remove ice cube tray as this may damage the evaporator.



---

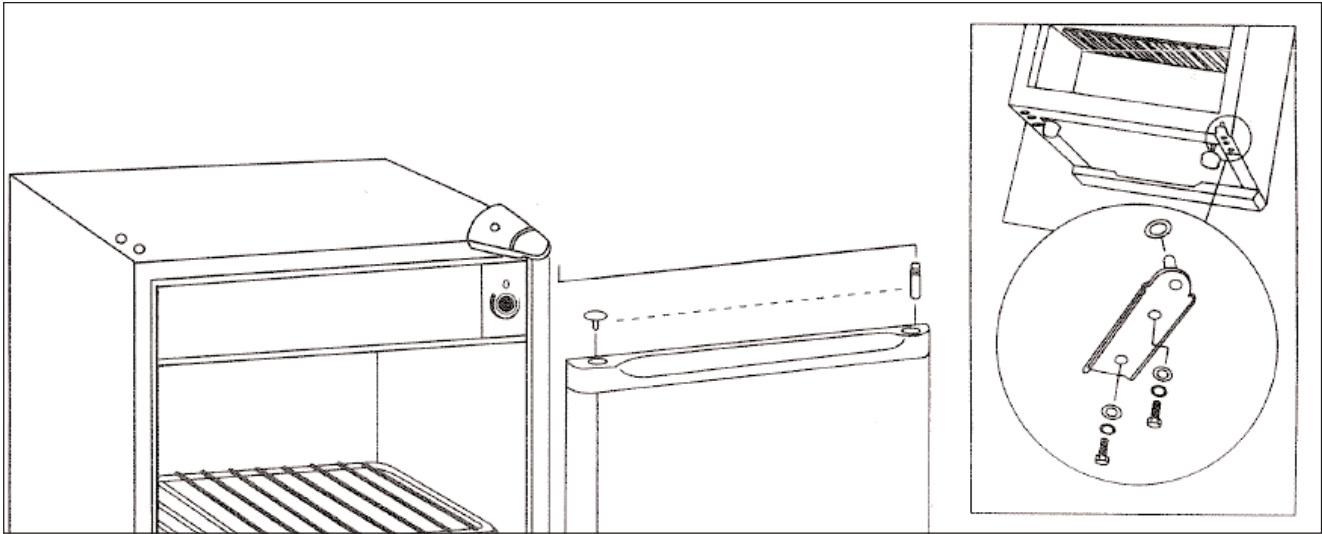
# INSTALLATION INSTRUCTIONS

---

## DOOR REVERSAL INSTRUCTIONS

**CAUTION:** To avoid personal injury to yourself and/or property, we recommend someone assist you during the door reversal process.

If you find the direction of opening the door on your appliance inconvenient, you can change it. Holes have already been prepared in the factory.



---

## CARE AND CLEANING

---

### Cleaning

To clean the inside, use a soft cloth and a mixture of one tablespoon of baking soda to one quart of water. Other cleaning options are a mild soap suds solution, or mild detergent. Wash shelves in a mild detergent solution, then dry and wipe with a soft cloth. Clean the outside with a soft damp cloth and some mild detergent or appliance cleaner.

### Vacation Time

For short vacation periods, leave the control knob at its normal setting. During longer absences,

- (a) remove all foods.
- (b) disconnect power cord from electrical outlet.
- (c) clean the refrigerator thoroughly, including drip tray (defrost pan), located on the bottom of the unit.
- (d) leave door open to avoid possible formations of condensate, mold or odors.

### Power Failure

Most power failures are corrected within an hour or two and will not affect your refrigerator temperatures. However, you should minimize the number of door openings while the power is off. During power failures of longer duration, take steps to protect your food by placing dry ice on top of packages.

### If You Move

Remove or securely fasten down all loose items inside the refrigerator. To avoid damaging the leveling legs, turn them all the way into the base.

### Some Important Rules for the Correct Use of the Refrigerator:

- Never place hot foods in the unit.
- Never place spoiled foods in the unit.
- Don't overload the unit.
- Don't open the door unless necessary.
- Should the refrigerator be stored without use for long periods, it is suggested, after a careful cleaning, to leave the door ajar to allow the air to circulate inside the cabinet in order to avoid the possibility of condensation, mold or odors.

# TROUBLESHOOTING

Occasionally, a minor problem may arise, and a service call may not be necessary- use this troubleshooting guide for a possible solution. If the unit continues to operate improperly, call an authorized service depot or Danby's **Toll Free Number** below for assistance.

**Tel: 1-800-263-2629**

PROBLEM	POSSIBLE CAUSE	SOLUTION
<b>1) Does not work.</b>	<ul style="list-style-type: none"> <li>• No power to unit.</li> <li>• Power cord is unplugged.</li> <li>• Wrong voltage is being used.</li> </ul>	<ul style="list-style-type: none"> <li>• Check connection of power cord to power source.</li> <li>• Plug in unit.</li> <li>• Use proper voltage.</li> </ul>
<b>2) Refrigerator runs continuously.</b>	<ul style="list-style-type: none"> <li>• Temperature set too warm.</li> <li>• Door is not closed.</li> <li>• Hot food inserted.</li> <li>• Door opened too long or too often.</li> <li>• Close proximity to heat source or direct sunlight.</li> </ul>	<ul style="list-style-type: none"> <li>• Lower temperature control.</li> <li>• Close door securely.</li> <li>• Be sure food is at room temperature before inserting.</li> <li>• Minimize door openings/duration.</li> <li>• Do not place unit close to heat sources or direct sunlight.</li> </ul>
<b>3) Internal temperature not cold enough.</b>	<ul style="list-style-type: none"> <li>• No power to unit.</li> <li>• Power cord is unplugged.</li> <li>• Temperature control too low.</li> <li>• Door is not closed.</li> <li>• Hot food inserted.</li> <li>• Door opened too long or too often.</li> <li>• Air flow obstruction.</li> <li>• Wrong voltage is being used.</li> <li>• Close proximity to heat source or direct sunlight.</li> </ul>	<ul style="list-style-type: none"> <li>• Check connection of power cord to power source.</li> <li>• Plug in unit.</li> <li>• Check setting and increase as needed.</li> <li>• Close door securely.</li> <li>• Be sure that food is at room temperature.</li> <li>• Minimize door openings/duration.</li> <li>• Allow room for air to circulate around unit.</li> <li>• Use proper voltage.</li> <li>• Do not place unit close to heat sources or direct sunlight.</li> </ul>





## LIMITED COMPACT REFRIGERATOR WARRANTY

This quality product is warranted to be free from manufacturer's defects in material and workmanship, provided that the unit is used under the normal operating conditions intended by the manufacturer.

This warranty is available only to the person to whom the unit was originally sold by Danby or by an authorized distributor of Danby, and is non-transferable.

### TERMS OF WARRANTY

Plastic parts, are warranted for thirty (30) days only from purchase date, with no extensions provided.

*First 12 Months* During the first twelve (12) months, any electrical parts of this product found to be defective, including any sealed system units, will be repaired or replaced, at warrantor's option, at no charge to the ORIGINAL purchaser.

*To obtain Service* Danby reserves the right to limit the boundaries of "In Home Service" to the proximity of an Authorized Service Depot. Any appliance requiring service outside the limited boundaries of "In Home Service" will be the consumer's responsibility to transport the appliance (at their own expense) to the original retailer (point of purchase) or a service depot for repair. Contact your dealer from whom your unit was purchased, or contact your nearest authorized Danby service depot, where service must be performed by a qualified service technician. If service is performed on the units by anyone other than an authorized service depot, or the unit is used for commercial application, all obligations of Danby under this warranty shall be void.

Nothing within this warranty shall imply that Danby will be responsible or liable for any spoilage or damage to food or other contents of this appliance, whether due to any defect of the appliance, or its use, whether proper or improper.

### EXCLUSIONS

Save as herein provided, Danby Products Limited (Canada) or Danby Products Inc. (U.S.A.) there are no other warranties, conditions, representations or guarantees, express or implied, made or intended by Danby Products Limited or its authorized distributors and all other warranties, conditions, representations or guarantees, including any warranties, conditions, representations or guarantees under any Sale of Goods Act or like legislation or statute is hereby expressly excluded. Save as herein provided, Danby Products Limited (Canada) or Danby Products Inc. (U.S.A.) shall not be responsible for any damages to persons or property, including the unit itself, howsoever caused or any consequential damages arising from the malfunction of the unit and by the purchase of the unit. The purchaser does hereby agree to indemnify and hold harmless Danby Products Limited from any claim for damages to persons or property caused by the unit.

### GENERAL PROVISIONS

No warranty or insurance herein contained or set out shall apply when damage or repair is caused by any of the following:

- 1) Power Failure.
- 2) Damage in transit or when moving the appliance.
- 3) Improper power supply such as low voltage, defective house wiring or inadequate fuses.
- 4) Accident, alteration, abuse or misuse of the appliance such as inadequate air circulation in the room or abnormal operating conditions (extremely high or low room temperature).
- 5) Use for commercial or industrial purposes (i.e. If the appliance is not installed in a Domestic residence).
- 6) Fire, water damage, theft, war, riot, hostility, acts of God such as hurricanes, floods etc.
- 7) Service calls resulting in customer education.
- 8) Improper Installation (i.e. Building-in of a Free Standing Appliance).

Proof of purchase date will be required for warranty claims; so, please retain bills of sale. In the event warranty service is required, present this document to our AUTHORIZED SERVICE DEPOT.

### Warranty Service

In Home Service on models 3.0 cu. ft. or greater.

Danby Products Limited  
PO Box 1778, 5070 Whitelaw RD, Guelph, Ontario, Canada N1H 6Z9  
Telephone: (519) 837-0920 FAX: (519) 837-0449

**1-800-263-2629**

DNB042309

Danby Products Inc.  
PO Box 669, 101 Bentley Court, Findlay, Ohio, U.S.A. 45840  
Telephone: (419) 425-8627 FAX: (419) 425-8629

---

# CONSIGNES DE SÉCURITÉ IMPORTANTES

---

## ATTENTION: MISE À LA TERRE

Cet appareil doit être mis à la terre. En cas de court-circuit, la mise à la terre réduit les risques de décharge électrique en fournissant un échappatoire au courant électrique.

L'appareil est muni d'un cordon électrique comprenant un fil de mise à la terre et une fiche de terre. Branchez la fiche dans une prise de courant correctement installée et mise à la terre.

**Avvertissement** - Consultez un électricien ou un technicien qualifié si vous ne comprenez pas bien les instructions de mise à la terre ou si vous avez un doute quelconque sur la bonne mise à la terre de l'appareil.

## N'UTILISER JAMAIS DE FIL DE RALLONGE

S'il est possible, brancher le réfrigérateur à son propre circuit. Ainsi, les autres appareils ou la surcharge des lampes du domicile ne peuvent pas surcharger et interrompre le courant électrique. Une connexion desserrée peut se doubler à un autre appareil dans la même prise murale.

## PRÉCAUTION IMPORTANTE

Un réfrigérateur vide peut constituer une menace pour des enfants. Pour rendre l'unité inoffensive nous recommandons vivement d'enlever la porte avant la disposition.

## N'ATTENDEZ PAS! FAITES-LE IMMÉDIATEMENT!

---

## INSTALLATION

Enlevez les emballages extérieurs et intérieurs. Essuyez complètement l'extérieur avec un linge doux sec et l'intérieur avec un linge humide tiède. Il ne faut jamais situer l'appareil dans un recoin étroit, proche d'une source d'air chaud. L'air doit circuler à l'entour de l'appareil. Eloigner le congélateur au moins 5 pouces du mur.

### Emplacement

- 1) Choisir une place qui a un plancher fort et à niveau.
- 2) Éloigner l'appareil de 5 pouces des murs arrière et de côté.
- 3) Éviter les rayons de soleil et la chaleur directs qui peuvent affecter la surface en acrylique. Les sources de chaleur rapprochées augmentent la consommation d'énergie.
- 4) Éviter les endroits très humides. L'humidité élevée dans l'air occasionne la formation rapide de gèle sur l'évaporateur et le réfrigérateur. Le réfrigérateur devra être dégivré fréquemment.

---

## FONCTIONNEMENT

Pour éviter la vibration, l'appareil doit être absolument horizontal. Les deux premiers pieds de nivellement au-dessous de réfrigérateur peuvent être ajuster.

La température à l'intérieur du réfrigérateur est contrôlée en réglant le cadran du thermostat (au plafond de l'intérieure du caisson) à la température désirée.

### Choix de la température:

Pour mettre le réfrigérateur en marche, tournez le cadran du thermostat à la position qui correspond à la température désirée sur le cadran bleu à échelle. Fig. A.

La température du réfrigérateur varie selon la quantité d'aliments rangés dans l'appareil et le nombre de fois que la porte est ouverte.

Pour tourner le cadran à la position "OFF" (arrêtez) tournez le cadran à "0". Si le réfrigérateur n'a pas été utilisé pendant un long délai, régler le cadran à la position maximale pendant 2 à 3 heures avant de le régler de nouveau à la température désirée. Si le réfrigérateur ne doit pas être utilisé pendant un long délai, débranchez-le et laissez la porte entre-ouverte. Cette mesure aide à réduire l'accumulation de moisissure sur les parois du réfrigérateur.

- Des changements de température ambiante affectent aussi la température du réfrigérateur (choisissez la température du réfrigérateur appropriée sur le cadran).

- A la position OFF (0), l'appareil ne fonctionne pas (le système de refroidissement est arrêté) mais l'alimentation de courant continue (la lampe fonctionne lorsque vous ouvrez la porte).

- La température intérieure du réfrigérateur dépend aussi du nombre de fois que la porte est ouverte.

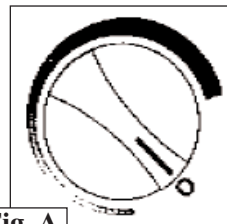


Fig. A

# CONSIGNES DE SÉCURITÉ IMPORTANTES (suite)

## DÉGIVRAGE

Ce réfrigérateur fonctionne avec un pousse-bouton (semiautomatique) système de dégivrage avec thermostat. Pour activer le cycle de dégivrage, poussez le bouton de dégivrage rouge qui se trouve au centre de contrôle (ne tournez pas le bouton de contrôle à zéro/éteinte). Le cycle de dégivrage commence immédiatement. Quand la décongélation est complète le pousse-bouton se dégagera automatiquement et résume les conditions normales d'opération au mime réglage de température.

**Note:** Si par hasard vous activez le pousse-bouton, il ne sera pas possible de le sortir à la main (de désactiver le cycle de dégivrage). C'est nécessaire de laisser continuer le cycle de dégivrage ou:

- Appliquez une lavette trempée dans l'eau chaud contre la ligne du thermostat capillaire et le support, situé au dessous du compartiment du congélateur. La température augmentera dès que le chaleur de la lavette touche la ligne du thermostat capillaire (linge de détecteur) qui causera les contacts internes à fermer. Les conditions normales d'opération résumeront. Ça pourrait prendre quelques minutes ou vous pouvez répéter les applications avant que le pousse-bouton dégage.

Il est nécessaire de dégivrer le congélateur chaque fois que l'accumulation de glace arrive à un épaisseur de 1/4 po (6mm). Ça pourrait prendre quelques heures pour dégivrer le congélateur, dépendent de la quantité de glace accumulée et la température ambiante de la pièce. Pour accélérer le processus de décongélation, enlevez tout les produits

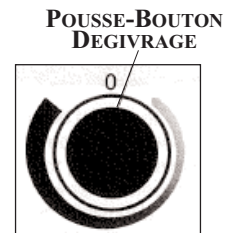
surgelés du congélateur. En laissant la porte entreb, illée pour un peu de temps pourrait accélérer le processus.

**Important:** N'oubliez pas de fermer la porte du réfrigérateur avant que la décongélation se termine et les conditions normales d'opération résumer automatiquement le plateau d'égoutterent devrait lire en place directement sous le compartiment du congélateur pour atraper l'eau évaporé durant la décongélation.

**Avis Important:** N'utiliser jamais de ustensiles tranchants ou aiguisés pour dégivrer/enlever la glace du compartiment de congélation/évaporation. Le compartiment de congélation/évaporation contient des tuyaux de gaz réfrigérés et si ils sont crévés ou percés, le réfrigérateur sera inopérable et la garantie de fabricant sera rendu nul. **SI LE COMPARTIMENT DE CONGELATION EST PERCE, ETEINDRE LE REFRIGERATEUR.**

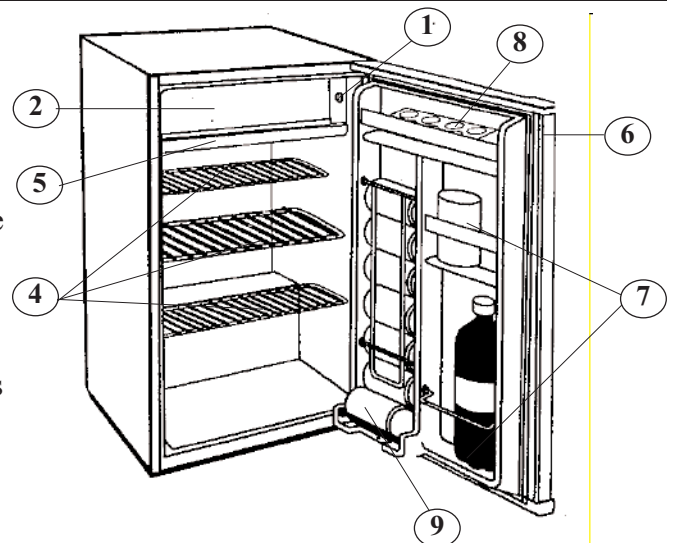
Après le dégivrage est fini, tourner la commande de température au refroidissement maximum pendant 2 à 3 heures avant le tourner au refroidissement désiré. Si on n'utilise pas le réfrigérateur pendant longtemps, débrancher l'appareil et laisser la porte partiellement ouverte pour réduire l'accumulation de moisure.

**Remarque:** Si le fonctionnement a été interrompu, attendre 3 à 5 minutes avant mettre le réfrigérateur en marche.



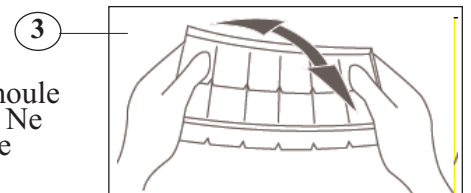
## CARACTERISTIQUES

- 1) **Cadran du Thermostat:** Régle la température intérieure du réfrigérateur. Met le, moteur en marche dès que la température dépasse le niveau désiré.
- 2) **Compartiment de Congélateur Avec Porte:** Section séparée pour la congélation contient les moules à glaçon.
- 3) **Moule à Glaçon:** Démoulage facile des glaçons.
- 4) **Clayettes Plasifiées:** Résistant aux odeurs et à la rouille amovibles pour faciliter, l'entretien.
- 5) **Bac D'écoulement:** Pour récupérer l'eau qui coule de l'évaporateur pendant le dégivrage.
- 6) **Joint Etanche Magnétique:** Le joint étanche empêche l'air frais de s'échapper.
- 7) **Porte-Bouteilles:** Pour les bouteilles, boîtes métalliques et bocaux.
- 8) **Casier à Oeufs**
- 9) **Paroi de Porte CANSTOR:** Range les boîtes de boisson gazeuse, jus ou bière de 355ml.



## GLAÇONS

Le moule à glaçon est flexible. Tourner-le pour enlever les glaçons. Si le moule est surgelé et collé à la surface de l'évaporateur, verser un peu d'eau tiède. Ne jamais utiliser de couteaux ou d'autres instruments en métal pour enlever le moule à glaçons car ceux-ci peuvent endommager l'évaporateur.





---

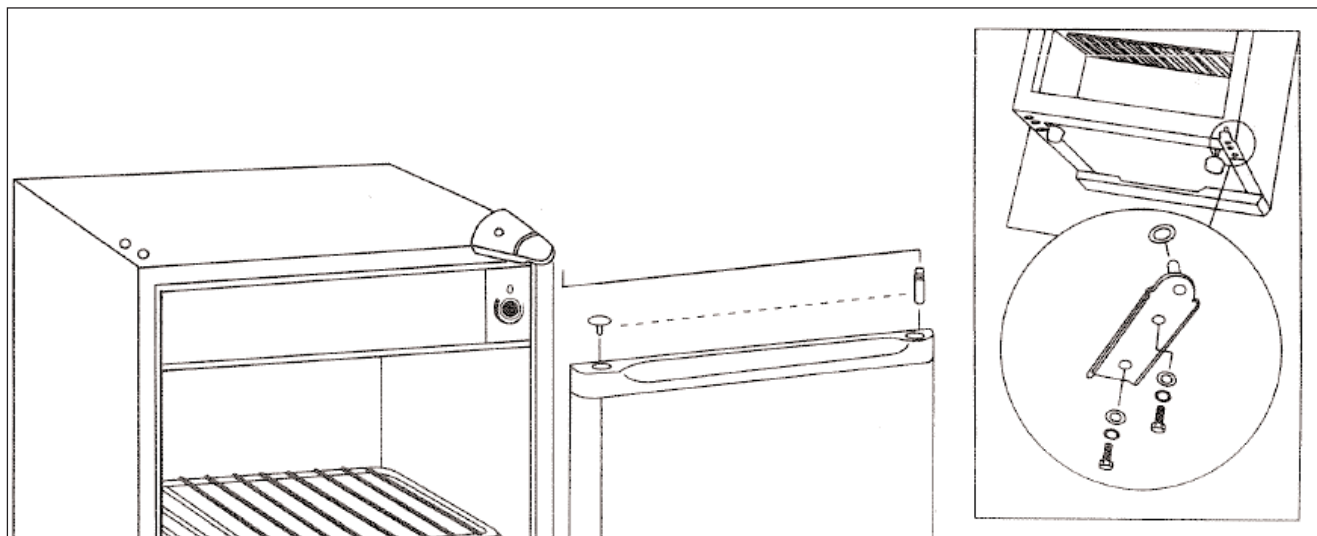
# INSTRUCTIONS D'INSTALLATION

---

## INSTRUCTIONS DE PORTE RÉVERSIBLE

**ATTENTION:** Pour éviter de se blesser ou endommager l'appareil, on vous recommande d'avoir quelqu'un vous aide pendant ce processus.

Si vous trouvez que la direction de l'ouverture de la porte de votre réfrigérateur est inconvenue, elle peut être changée. Des trous qui se trouvent sur le côté opposé de la porte ont été percés à l'usine.



---

## SOINS ET ENTRETIEN

---

### Entretien

Pour nettoyer l'intérieur, utilisez un chiffon doux et une solution composée d'une pinte d'eau et d'une cuillerée à savon de poudre à pâte. Comme autre solution de nettoyage, utilisez une solution comportant un savon ou un détergent doux. Lavez les tablettes en verre à l'aide d'une solution comportant un détergent doux; séchez les tablettes et essuyez-les à l'aide d'un chiffon doux. Nettoyez l'extérieur à l'aide d'un chiffon humide doux et d'un peu de détergent doux ou d'un produit de nettoyage des appareils électroménagers.

### Pendant les vacances

Si vous prenez une vacance de courte durée, laissez le bouton de commande à son réglage normal. Si l'absence doit durer longtemps,

- (a) enlever tous les aliments.
- (b) débranchez l'appareil de la prise murale.
- (c) Nettoyez le réfrigérateur complètement, en incluant le plateau d'égouttage (bac de décongélation) situé dans le bas de l'appareil.
- (d) Laissez la porte ouverte pour éviter les mauvaises odeurs.

### Panne d'électricité

La plupart des pannes d'électricité sont corrigées dans un délai d'une heure et n'ont pas d'effets sur la température du réfrigérateur. Il est nécessaire de réduire le nombre d'ouverture de la porte pendant une panne. Pendant les pannes qui durent plus qu'une heure, protéger vos aliments en déposant un bloc de glace sèche par-dessus les emballages. Si la glace n'est pas disponible, essayer d'utiliser temporairement de l'espace de votre entrepôt à froid régional.

### Déménagement

Enlever ou immobiliser toutes les pièces amovibles (*c'-à-d; les clayettes*) à l'intérieur du réfrigérateur. Serrer les vis à nivellement à la base afin de ne pas les endommager.

### Importantes consignes de sécurité pour l'utilisation du réfrigérateur

- Ne jamais ranger d'aliments chauds dans le réfrigérateur.
- Ne jamais surcharger l'appareil.
- Ouvrir la porte seulement si nécessaire.
- Pour un rangement prolongé de l'appareil, il est suggéré de laver l'appareil, de laisser la porte ouverte afin de fournir une circulation d'air à l'intérieur du meuble et d'éviter le développement de condensation, de moisissures et d'odeurs.

# DÉPANNAGE

De temps en temps, un problème est mineur et un appel de service peut ne pas être nécessaire. Utilisez ce guide de dépannage pour trouver une solution possible. Si l'unité continue de fonctionner incorrectement, appelez un dépôt de service autorisé ou le **numéro sans frais** de Danby pour obtenir de l'assistance.

**Tel: 1-800-263-2629**

PROBLEME	CAUSE PROBABLE	SOLUTION
<b>1) Ne fonctionne pas.</b>	<ul style="list-style-type: none"><li>• Pas de tension à l'unité.</li><li>• Le cordon d'alimentation est débranché.</li><li>• Le mauvais voltage est utilisé.</li></ul>	<ul style="list-style-type: none"><li>• Vérifiez la connexion du cordon d'alimentation.</li><li>• Branchez l'appareil.</li><li>• Utilisez le voltage approprié.</li></ul>
<b>2) Le congélateur fonctionne sans arrêt.</b>	<ul style="list-style-type: none"><li>• La température est réglage trop haut.</li><li>• La porte n'est pas fermée.</li><li>• De la nourriture chaude a été insérée.</li><li>• La porte est ouverte trop souvent/longtemps.</li><li>• Proximité d'une source de chaleur ou source de soleil.</li></ul>	<ul style="list-style-type: none"><li>• Baissez le contrôle de température.</li><li>• Fermez la porte.</li><li>• Assurez-vous que la nourriture est frais avant de la placer dans l'appareil.</li><li>• Minimisez l'ouverture de la porte.</li><li>• Ne placez pas l'appareil près d'une ou exposition directe aux rayons du chaleur/du soleil.</li></ul>
<b>3) La température interne n'est pas assez froide.</b>	<ul style="list-style-type: none"><li>• Pas de tension à l'unité.</li><li>• Le cordon d'alimentation est débranché.</li><li>• Le contrôle de la température est trop bas.</li><li>• La porte n'est pas fermée.</li><li>• La nourriture est chaude.</li><li>• La porte est ouverte trop souvent/longtemps.</li><li>• Obstruction de la circulation de l'air.</li><li>• Le mauvais voltage est utilisé.</li><li>• Proximité d'une source de chaleur ou exposition directe aux rayons du soleil.</li></ul>	<ul style="list-style-type: none"><li>• Vérifiez la connexion du cordon d'alimentation.</li><li>• Branchez l'appareil.</li><li>• Vérifiez le réglage et augmentez-le au besoin.</li><li>• Fermez la porte.</li><li>• Assurez-vous que la nourriture est frais avant de la placer dans l'appareil.</li><li>• Minimisez l'ouverture de la porte.</li><li>• Laissez l'air circuler dans la pièce autour de l'appareil.</li><li>• Utilisez le voltage approprié.</li><li>• Ne placez pas l'appareil près d'une ou exposition directe aux rayons du chaleur/du soleil.</li></ul>



## GARANTIE LIMITÉE DE RÉFRIGÉRATEUR COMPACT

Cet appareil de qualité est garanti exempt de tout vice de matière première et de fabrication, s'il est utilisé dans les conditions normales recommandées par le fabricant.

Cette garantie n'est offerte qu'à l'acheteur initial de l'appareil vendu par Danby ou par l'un des ses distributeurs agréés et elle ne peut être transférée.

### CONDITIONS

Les pièces en plastique sont garanties pour trente (30) jours seulement à partir de la date de l'achat, sans aucune prolongation prévue.

*Première 12 mois* Pendant les première douze (12) mois, toutes pièces électriques de ce produit s'avèrent défectueuses, y compris les unités ayant des systèmes obturés, seront réparées ou remplacées, selon le choix du garant, sans frais à l'acheteur INITIAL.

*Pour bénéficier du service sous garantie* Danby réserve le droit de limiter le rayon du "Service au domicile" selon la proximité d'un dépôt de service autorisé. Le client sera responsable pour le transport et tous les frais d'expédition de tout appareil exigeant le service en dehors des limites du "Service au domicile" au dépôt de service autorisé le plus proche. S'adresser au détaillant qui a vendu l'appareil, ou à la station technique agréée de service Danby la plus proche, où les réparations doivent être effectuées par un technicien qualifié. Si les réparations sont effectuées par quiconque autre que la station de service agréée où à des fins commerciales, toutes les obligations de Danby en vertu de cette garantie seront nulles et non avenues.

Cette garantie indique en aucun temps la responsabilité de Danby de l'avarie ou dommage de la nourriture ou autre contenu, soit par les vices de l'appareil, ou soit par l'utilisation convenable ou inexacte.

### EXCLUSIONS

En vertu de la présente, Danby Products Limited (Canada) ou Danby Products Inc. (É.-U.d'A.) il n'existe aucune autre garantie, condition ou représentation, qu'elle soit exprimée ou tacite, de façon manifeste ou intentionnelle, par Danby Products Limited ou ses distributeurs agréés. De même, sont exclues toutes les autres garanties, conditions ou représentations, y compris les garanties, conditions ou représentations en vertu de toute loi régissant la vente de produits ou de toute autre législation ou règlement semblables. En vertu de la présente, Danby Products Limited (Canada) ou Danby Products Inc. (É.-U.d'A.) ne peut être tenue responsable en cas de blessures corporelles ou des dégâts matériels, y compris à l'appareil, quelle qu'en soit les causes. Danby Products Limited ne peut pas être tenue responsable des dommages indirects dus au fonctionnement défectueux de l'appareil. En achetant l'appareil, l'acheteur accepte de mettre à couvert et de dégager Danby Products Limited de toute responsabilité en cas de réclamation pour toute blessure corporelle ou tout dégât matériel causé par cet appareil.

### CONDITIONS GÉNÉRALES

La garantie ou assurance ci-dessus ne s'applique pas si les dégâts ou réparations sont dus aux cas suivants:

- 1) Panne de courant;
- 2) Dommage subis pendant le transport ou le déplacement de l'appareil;
- 3) Alimentation électrique incorrecte (tension faible, câblage défectueux, fusibles incorrects);
- 4) Accident, modification, emploi abusif ou incorrect de l'appareil;
- 5) Utilisation dans un but commercial ou industriel (i.e. Si l'appareil n'est pas installé dans une résidence domestique).
- 6) Incendie, dommage causés par l'eau, vol, guerre, émeute, hostilités, cas de force majeure (ouragan, inondation, etc.);
- 7) Visites d'un technicien pour expliquer le fonctionnement de l'appareil au propriétaire.
- 8) L'installation inexact (ie. Incorporant un appareil signifié pour un appliaction autonome)

Une preuve d'achat doit être présentée pour toute demande de réparation sous garantie. Prière de garder le reçu. Pour faire honorer la garantie, présenter ce document à la station technique agréée.

### Service sous-garantie

Service au domicile sur modèles de 3,0 pi<sup>3</sup> ou plus grands.

Danby Products Limited  
PO Box 1778, 5070 Whitelaw RD, Guelph, Ontario, Canada N1H 6Z9  
Telephone: (519) 837-0920 FAX: (519) 837-0449

**1-800-263-2629**

DNB042309

Danby Products Inc.  
PO Box 669, 101 Bentley Court, Findlay, Ohio, U.S.A. 45840  
Telephone: (419) 425-8627 FAX: (419) 425-8629

# Sunbeam®

Model • Modèle  
SBCR419W/BL

For service, contact your nearest service depot or call:  
**1-800-263-2629**  
to recommend a depot in your area.

Pour obtenir le service, consultez votre succursale régionale de service ou téléphonez:  
**1-800-263-2629**  
qui vous recommandera un centre régional.

## COMPACT REFRIGERATOR

The model number of your refrigerator is found on the serial plate located on the back, top left-hand corner of the refrigerator.

All repair parts are available for purchase or special order when you visit your nearest service depot. To request service and/or the location of the service depot nearest you, call the toll free number listed to the left in Canada and the U.S.

When requesting service or ordering parts, always provide the following information:

- **Product Type**
- **Model Number**

## RÉFRIGÉRATEUR COMPACT

Le numéro de modèle de votre réfrigérateur se trouve sur la plaque d'identification qui se trouve sur le coin du haut gauche de l'arrière du réfrigérateur.

Toutes les pièces de rechange sont disponibles immédiatement ou peuvent être commandées de votre Centre de Service régional. Pour obtenir le service et/ou le Centre de Service le plus proche, téléphonez le numéro sans-frais indiqué à gauche pour le Canada et les États-Unis.

Ayez les informations suivantes à la portée de la main lors de la commande de pièces ou service:

- **Genre de produit**
- **Numéro de modèle**

Sunbeam® is a registered trademark of Sunbeam Products, Inc. used under license.  
Sunbeam® est une marque déposée de Sunbeam Products, Inc. utilisée sous licence.

Danby Products Limited, PO Box 1778, Ontario, Canada N1H 6Z9  
Danby Products Inc., PO Box 669, Findlay, Ohio, USA 45839-0669